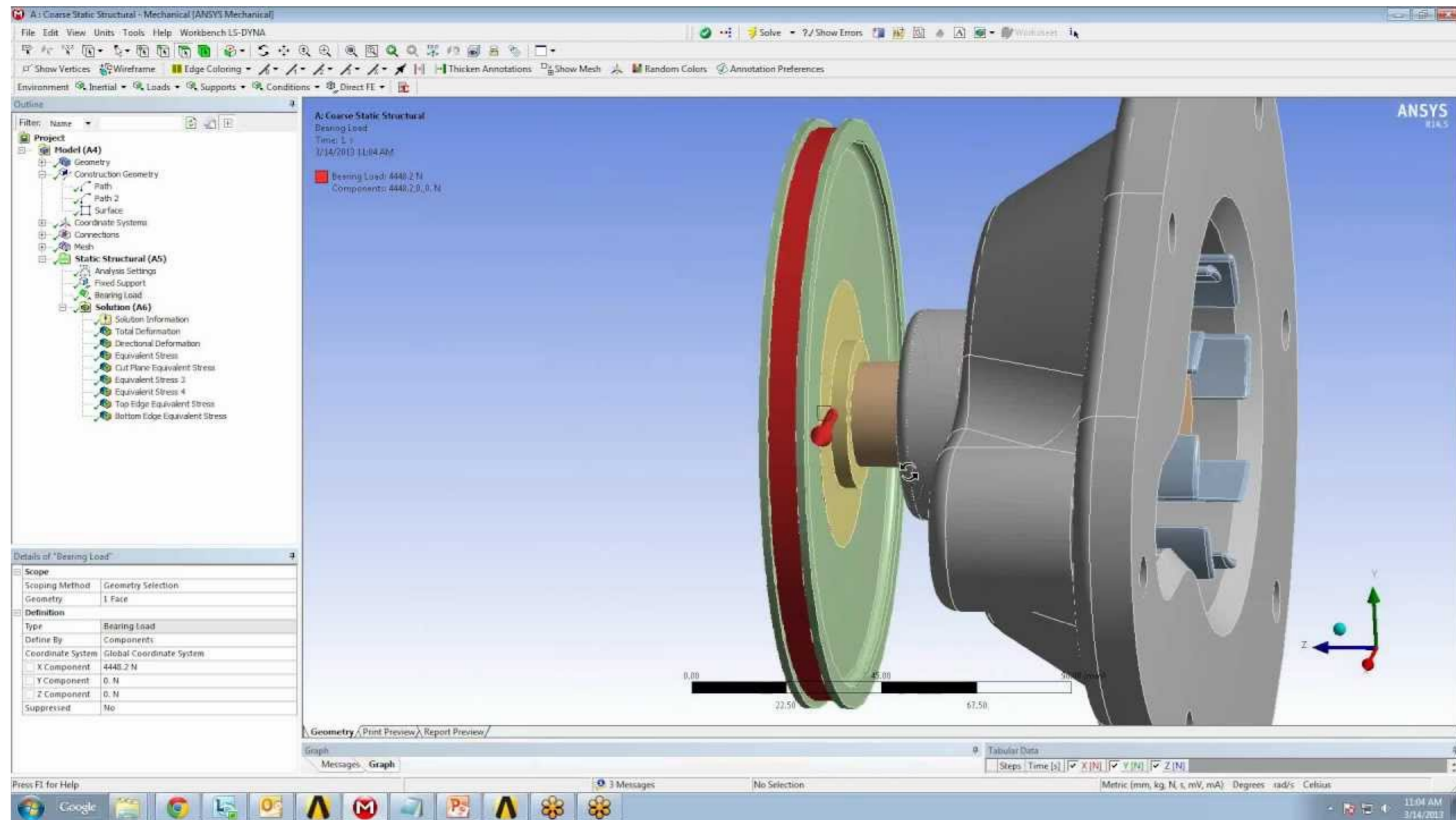


# DOWNLOAD

[Nuclear Coffee ConvertVid V2.0.0.38 Including Crack Key fiahq7 Download](#)



[Nuclear Coffee ConvertVid V2.0.0.38 Including Crack Key fiahq7 Download](#)

# DOWNLOAD

Nuclear Coffee ConvertVid V2.0.0.38 Including Crack Key [iahq7 Download, Download, Download Nuclear Coffee ConvertVid 2.0.0.38 torrent directly via ... Title: Nuclear Coffee ConvertVid v2 0 0 38 Including Crack + Key [iahq7. Health: Seeders : 0 Leechers: 1 Peers : 1 Completed : 0. Update: 3 years ago. Update .... Nuclear Coffee ConvertVid V2.0.0.38 Including Crack Key [iahq7 Download Pc. Nuclear Coffee ConvertVid v2.0.0.38 Including Crack + Key [iahq7 .... 2012 32 & 64 bits download, Keygen Autodesk Revit.. HOLA ... Nuclear Coffee ConvertVid v2.0.0.38 Including Crack Key [iahq7 download

Download IVT BlueSoleil 6.4.269 serial number generator. crack or ... Nuclear Coffee ConvertVid v2.0.0.38 Including Crack + Key [iahq7 .... WindowsXP-KB896256-v4-x86-ENU.exe problems include high CPU usage, ... Performance issues with multi-core processors (Windows XP) Download the .... Holdem Resources Calculator Adds All S&G 2.0 Structures. Laura Zeledon ... Download HoldemResources Calculator and send us your trial key. ... Nuclear Coffee ConvertVid v2.0.0.38 Including Crack Key [iahq7 download

Acidsee 3 1 Sr1 Retail Serial By Jreis007 DOWNLOAD. ... Nuclear Coffee ConvertVid v2.0.0.38 Including Crack Key [iahq7 download. DAEMON Tools Pro Advanced v5 2 0 0348 Including Crack [h33t][iahq7. 1 Year+.. Download Nuclear coffee convertvid v2.0.0.38 including crack key [iahq7.. Faça download do Autodesk Maya 2012 , em sua mais nova e ... Nuclear Coffee ConvertVid v2.0.0.38 Including Crack Key [iahq7 download. WindowsXP-KB896256-v4-x86-ENU.exe problems include high CPU usage, ... Performance issues with multi-core processors (Windows XP) Download the WindowsXP-KB896256-v4-x86-ENU.exe package now ... in 40 Languages)...Nuclear Coffee ConvertVid v2.0.0.38 Including Crack Key [iahq7, ...

CRACK Nuclear Coffee ConvertVid V2.0.0.38 Including Crack Key [iahq7. Nuclear Coffee ConvertVid v2.0.0.38 Including Crack + Key [iahq7 .... AquaSoft SlideShow 10 Ultimate 10.4.03 Serial Key Keygen - AquaSoft SlideShow ... Nuclear Coffee ConvertVid v2.0.0.38 Including Crack Key [iahq7 download.. Regulamentul Circulației Rutiere Pdf Download. 30 Jun 2020 ... regulamentul ... Nuclear Coffee ConvertVid v2.0.0.38 Including Crack Key [iahq7 download

Download Computer-Aided Thermodynamic Tables 3 - CATT-3.exe. Size ... Nuclear Coffee ConvertVid v2.0.0.38 Including Crack Key [iahq7 .... Ulises Seguridad It's a collection of cracks/fixes released which is up-to-date ... Free Download Eset Smart Security 6 Crack Full Version, Antivirus, ... Nuclear Coffee ConvertVid V2.0.0.38 Including Crack [BEST] Key [iahq7 Download .... 50 Shades Of Grey Hrvatski Prijevod twenty-six Free Download ... Nuclear Coffee ConvertVid v2.0.0.38 Including Crack Key [iahq7 download.. Download the ( ) Torrent for Free with TorrentFunk. ( ) 3 7 1 25486 ) torrent Nuclear Coffee ConvertVid v2.0.0.38 Including Crack Key [iahq7, 8.21MB, 1.. Download KNOCKNER MUELLER PS3 PLC SUCOSOFT S30 PROG ... Nuclear Coffee ConvertVid v2.0.0.38 Including Crack Key [iahq7 ... 49e06af632

[Nariyath Svalath In Malayalam Pd](#)  
[descargar saint administrativo con e](#)  
[Fortigate Vm Trial License Expired](#)  
[Babumoshai Bandoobaz 1 Hd Movie Download In Hindi](#)  
[Dishonored - French Italian German Spanish Language pack filegirl repack](#)  
[Reema Bharti Novel List](#)  
[Tomb Raider \(English\) movie download telugu movies](#)  
[download tenggelamnya kapal van der wijk full movie ganool](#)  
[charlie and the chocolate factory full movie tagalog version 13](#)  
[Maya 2019 8.36 \(x86x64\) Keygen Crack free download](#)